



START ENGINEERING JSCo.

3, Locomotive Str., 1220 Sofia, Bulgaria

Tel: (+359 2) 931 0784, (+359 2) 936 0373

Fax: (+359 2) 931 0768

E-mail: stensof@abv.bg sofia@starteng.com

URL: <http://www.starteng.com>

Employer:	SHELL GAS BULGARIA
Project:	Gas filling plant in Benkovski, Plovdiv district
Subproject:	Microprocessor system for vizualization and control
Design:	Upgrade and revision of conventional and microprocessor part in connection with Extension I stage
Main contractor:	“Start engineering” JSCo.
Kinds of activities:	Design (hardware and software), installation and commissioning
Performance:	Completed in 2001

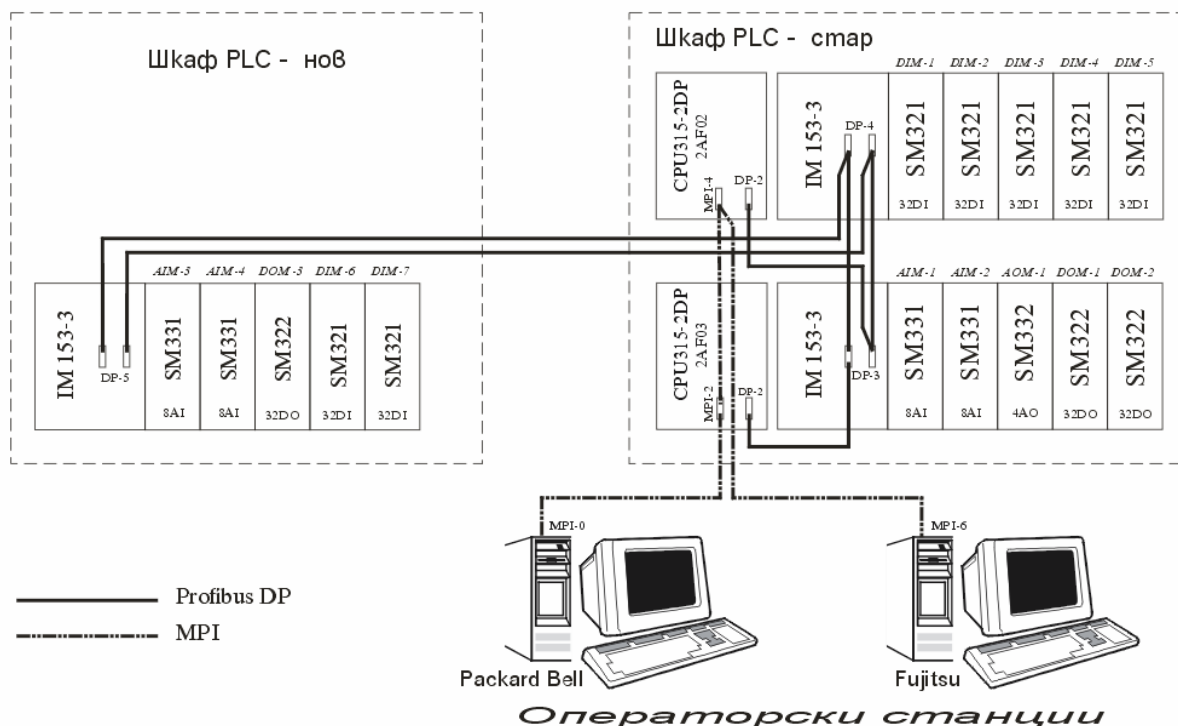
Short description of the project:

The project was executed by specialists of “START ENGINEERING” JSCo. — BRANCH SOFIA by instruction of “MONTAZHPROEKT” OOD.

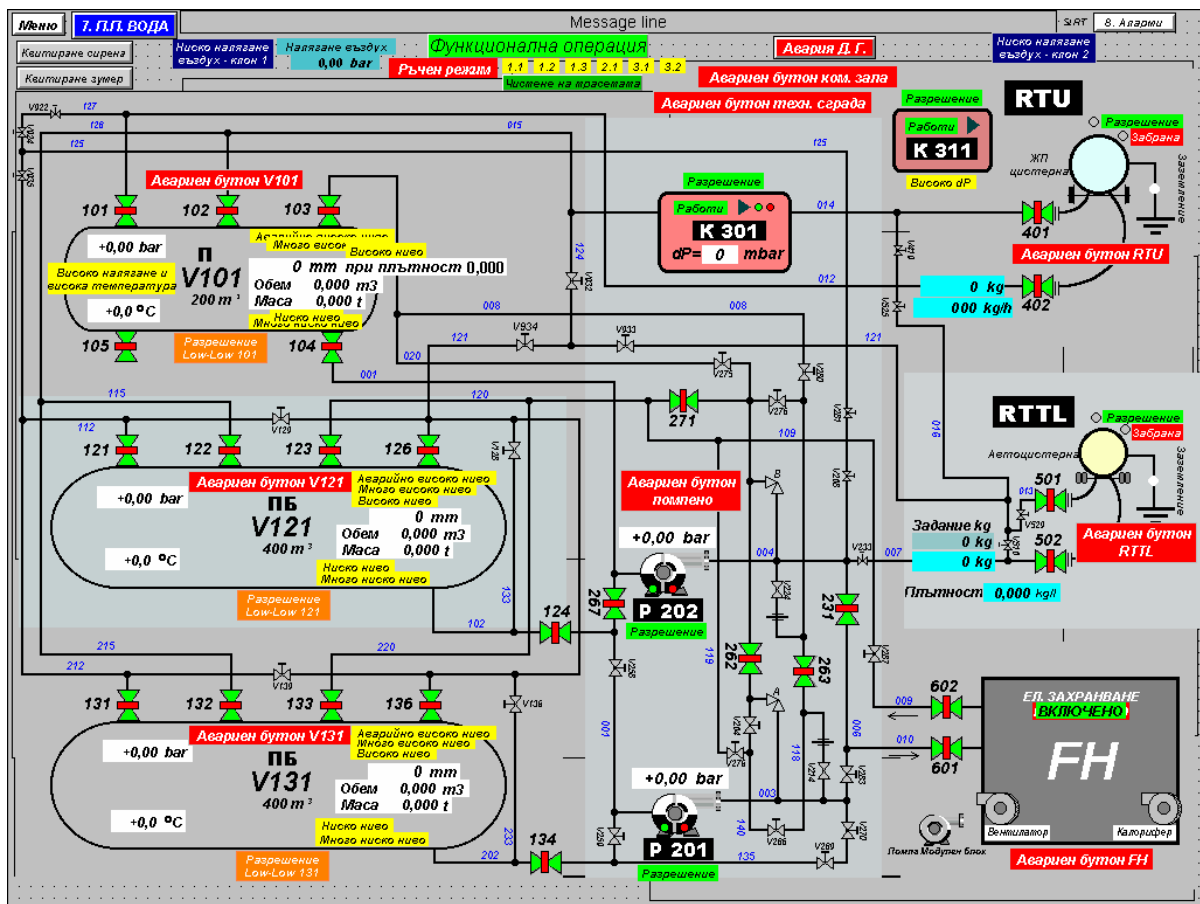
The originally erected tank for 200 m³ propane-butane has changed its designation — only for propane. Two new tanks for propane-butane 400 m³ each were erected along with the relevant piping and valve structure (including an option for blending).

The microprocessor control system has changed. The CPU is now redundant and operates in warm redundancy mode by means of SW-Redundancy V1.1. software. Besides this, by recommendation of “START ENGINEERING” JSCo. the Operator’s station was made redundant (“SHELL GAS” purchased another licence for WinCC Runtime) and this proved quite appropriate in a certain critical moment (failure of the first Operator’s station).

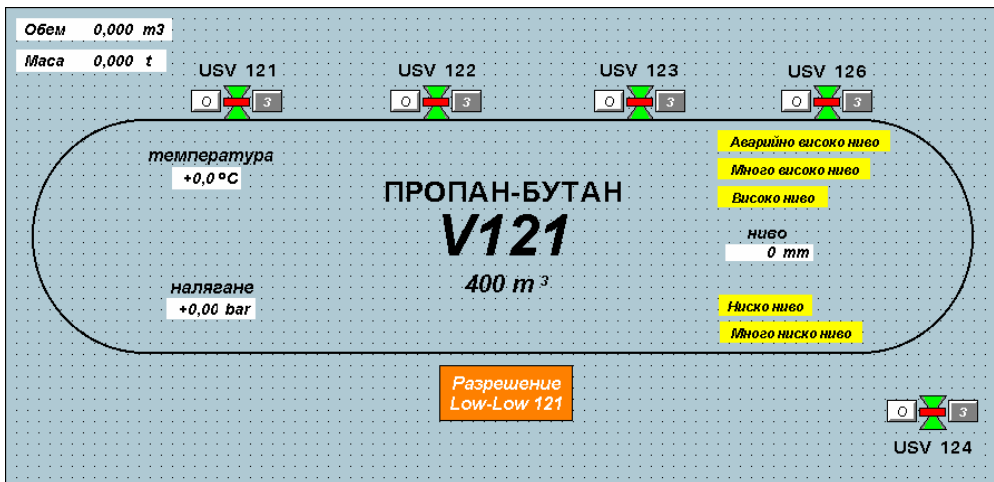
Конфигурация на системата след разширението (Redundancy CPU)



Main monitoring screen



Control screen



Control screen

